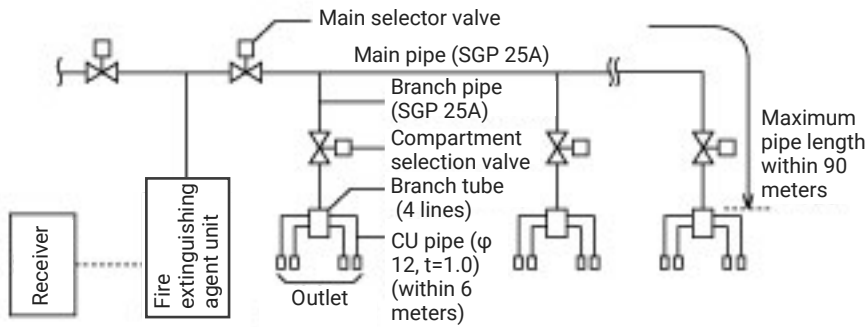
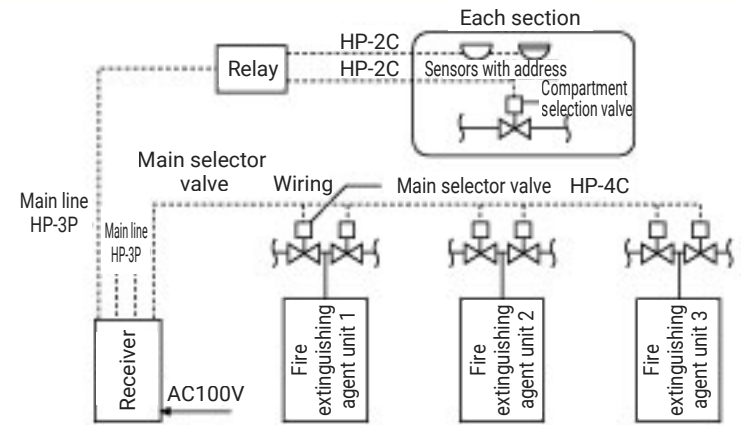


## Basic system diagram (discharge piping)



## Wiring specifications



## Operation flow

### Automatic (Standard Setting)

Fire

Sensor #1 detects the fire

Receiver

Main alarm rumbles  
Fire lamp turns on  
Section light turns on  
Section name displays

AND setting

#1  
Fire extinguishing system starts

#2  
Discharge fire extinguishing agent

Fire extinguished

Sensor has been activated.  
Please check the site.

Sensor has been activated.  
Please check the site.

Sensor has been activated.  
Please check the site.

Only sensors in the same simultaneous emission area will activate.

### Operation by Manual Release (Option)

Fire

Check the fire by eyes

Operate the key switch

Receiver

Main alarm rumbles  
Fire lamp turns on  
Section light turns on  
Section name displays

#1  
Fire extinguishing system starts

#2  
Discharge fire extinguishing agent

Fire extinguished