



Package Fire Extinguishing system

SUPER OWL NSIII

Compact & Lightweight

A New Choice of Water Hydrant

From Japan

HATSUTA

All-in-one, package-type water hydrant Super Owl NSIII

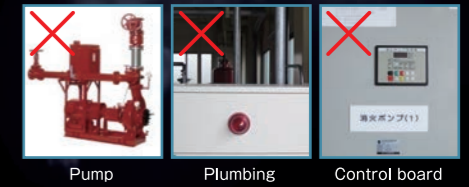


ALL-in-ONE

POINT 01 Best way to lower costs

Advantages over conventional water hydrants:

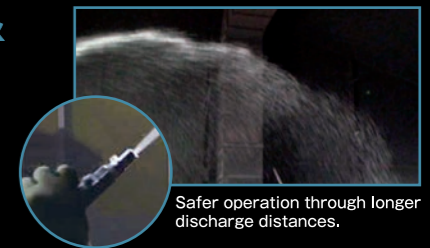
- Elimination of conventional water hydrant parts such as control panels, pumps, tanks, etc.
- Easy to install & set up.



Maintains fire extinguishing capability even when damaged by disasters.

POINT 02 Powerful extinguishing agent & Long distance discharge

- 4 times more powerful than the equivalent amount of water.
- Maximum 16m discharge distance from nozzle.

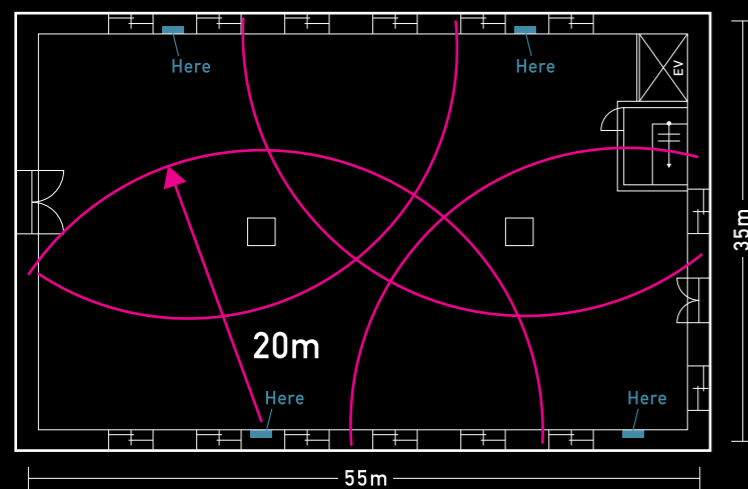


POINT 03 Safe, worry-free use

- Can be used easily by one person.
- Outstanding durability in the event of disaster, compared to conventional water hydrants, exceptional durability even in the event of disaster and not affected by electrical or water mains failure.
- No bottle corrosion from fire-extinguishing agent.

Where To Use

Sample Layout



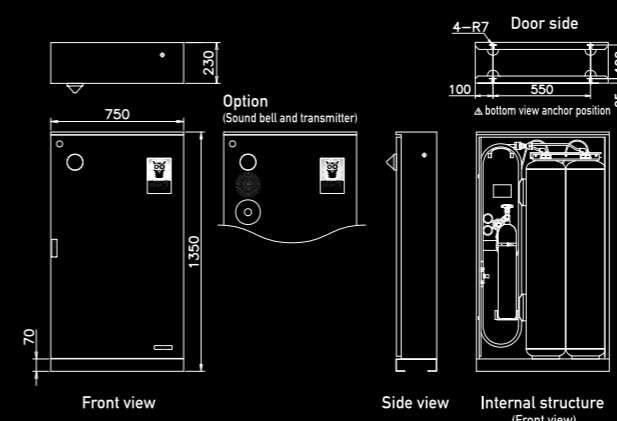
Example Locations



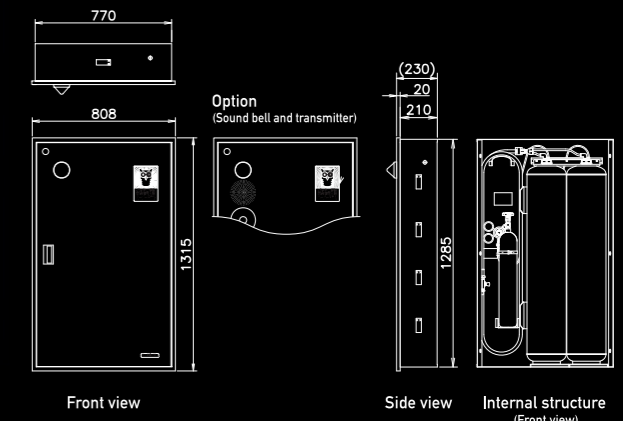
Supermarket, Warehouse, Factory, Hospital, Amusement Park, Kindergarten, Train Station etc.

Super Owl NSIII drawings

Floor-mount type Lamp/HSSW-825S3-RH



Wall-recessed type Lamp/HSSW-825S3-UH



SUPER OWL NSIII(Floor-mount type / Wall-recessed type) Specifications

Item	Floor Mount	Floor Mount-Sound Bell and Transmitter Option	Recessed	Recessed-Sound Bell and Transmitter Option	
Product Model	HSSW-825S3-RH	HSSW-825S3-RS	HSSW-825S3-UH	HSSW-825S3-US	
Approval Model Number	HSSW-825S3				
Approval Number	PG-042				
Product Category	Package Fire Extinguishing System Type 1				
Extinguishing Agent Category	Water with wetting agent solution Type 3				
Extinguishing Agent Approval Number	16~1				
Installation Method	Floor Mount (with Base)		Wall Recessed		
Pressurizing Cylinder / Pressurized	Pressurizing Cylinder (with regulator)				
Operating Method	Turn Handle (on the pressurizing cylinder)				
Operating Pressure	0.9±0.05MPa				
Total Weight	Approx. 165kg				
Extinguishing Agent Weight	80.4L (Approx. 102kg)				
Operating Temperature Range	-20°C~40°C				
Function	Discharge Time		180 s		
	Discharge Distance		Approx. 16.0m		
	Discharge Flow Rate		27.0L/min		
Box	Dimensions		750mm(W)×1350mm(H)×230mm(D)		
	Dimensions of Recessed Part		808mm(W)×1315mm(H)×230mm(D)		
	Available Adjustment from frame to Body		770mm(W)×1285mm(H)×210mm(D)		
	Material		Max 25mm		
	Color		SUS304		
Extinguishing Agent Cylinder	Door Type		Light Gray		
	Internal Volume		Fully opening hinged door (opens to the right)		
	Material		82L(41L×2)		
	Anti-Corrosion		SUS304		
	Test Pressure		Uses Corrosion resistant Material		
	Quantity		1.60MPa		
	Cylinder Valve Model Number		2		
	Internal Volume		59~1 or 176		
	Material		3.4L		
	Coating		STH-70		
Pressurizing Cylinder	Gas		Gray		
	Gas Amount		Nitrogen		
	Hydrostatic Test Pressure / Leak Test Pressure		565g(20°C)		
	Max Fill Pressure		24.5 / 14.7MPa		
	Safety Valve Actuation Pressure		14.7MPa		
	Quantity		16.7~19.6MPa		
	Dimensions		1		
Hose	Material		φ17.0mm(O.D.)×φ13.0mm(I.D.)×25m		
	Test Pressure		(Outer) Polyester Fiber Weave / (Inner) Polyurethane Resin		
	Storage Style		1.5MPa		
	Open / Close Valve		Hose Rack		
Nozzle Valve	Nozzle Orifice		Ball Valve (Size:Rc1/2)		
	Material		φ6mm		
	Anti-Corrosion		C3771B		
	Regulator Pressure (Fixed)		Cr Plating		
Regulator	Material		0.9±0.05 MPa		
	Material		C3604B		
Piping	For Pressure	Material	Nylon		
		Size	φ6mm×2		
	For Liquid	Material	ABS		
Size		φ10mm			
Other	Valve for Maintenance		Ball Valve (Size:Rc1/4)		
	Check Valve		1 Unit (Pressure Entry Part)		
Sound Bell and Transmitter Option		-		Our specified transmitter and sound bell can be built in.	

Sound bell and transmitter are available as options.

Important information for Super Owl NSIII.



- Do not discharge on electrical devices. Not suitable for electrical fires. May cause electric shock.
- Do not install in places with temperatures of 40°C or above.
- Use the specified quantity (80.4L) for Hatsuta's fire extinguishing agent.
- A maintenance check is required once every 6 months.

Notes on Usage

- Read the operation manual carefully before use.



ISO 9001
JQA-QM3671



ISO 14001
JQA-EM2837

(Head Office, Regional Offices, Branches)



HATSUTA SEISAKUSHO CO.,LTD.

● The specifications for products described in this brochure are subject to change without prior notice for reasons of product improvement.

www.hatsuta.co.jp

特035E 1503-3,000-QU